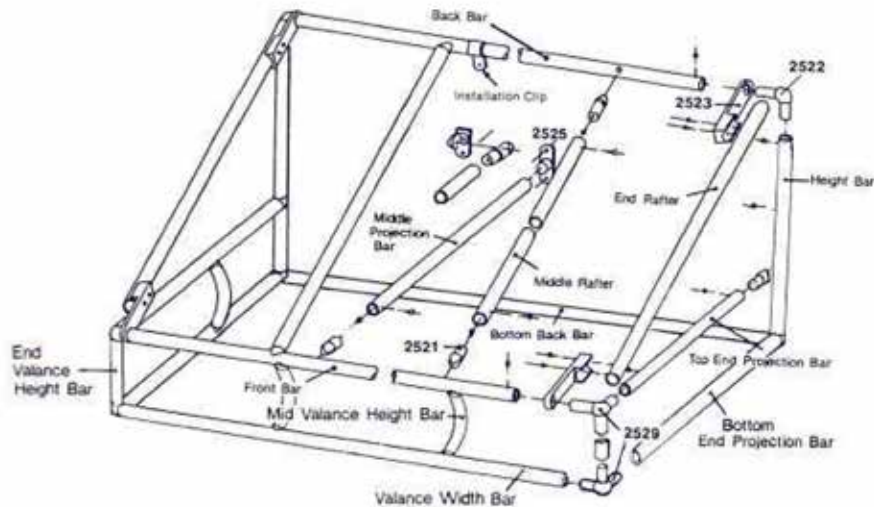


Awning Components

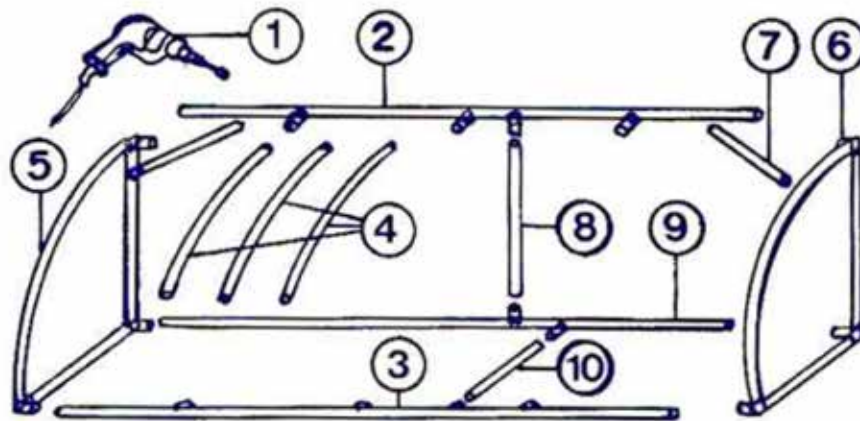


Frame Assembly

Tools Required for Frame Assembly

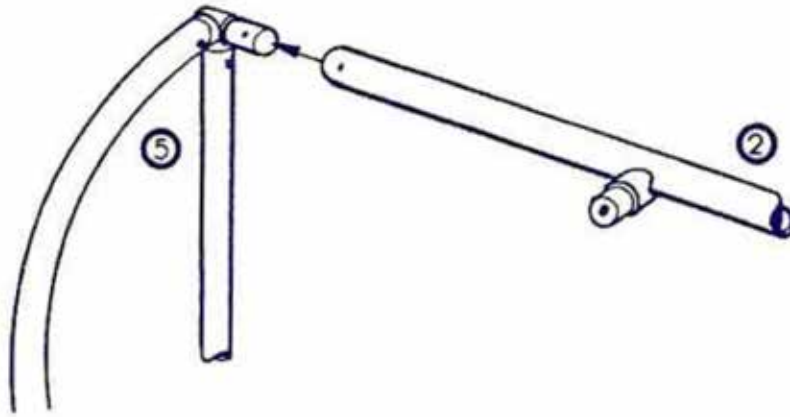
Electric screw gun with 5/16" magnetic chuck hex-driver or 5/16" nut-setter.

Frame Assembly Step by Step Instructions

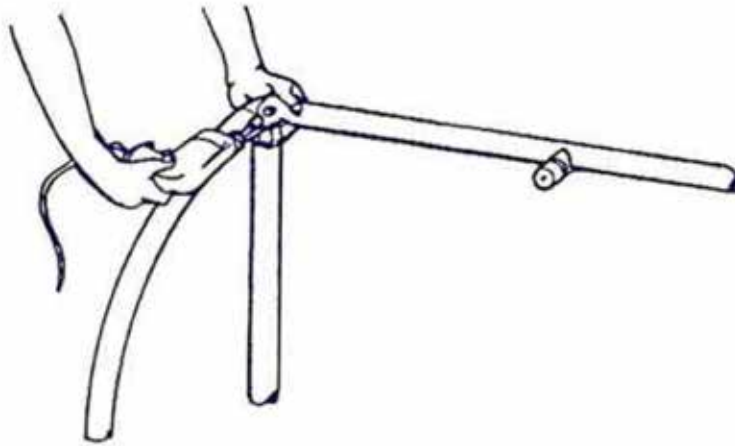


1 Step One: Component Identification.

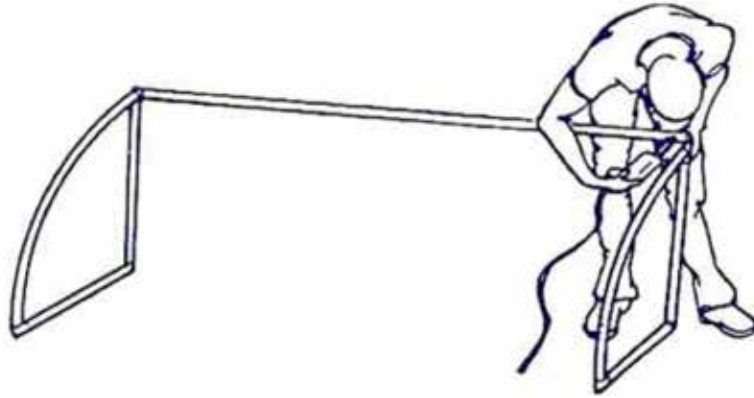
- | | |
|-------------------------------------|--------------------|
| 1. Electric screw gun or nut setter | 6. Right end |
| 2. Back bar | 7. Angle bar |
| 3. Front bar | 8. Height bar |
| 4. Mid-rafters | 9. Bottom back bar |
| 5. Left end | 10. Projection bar |



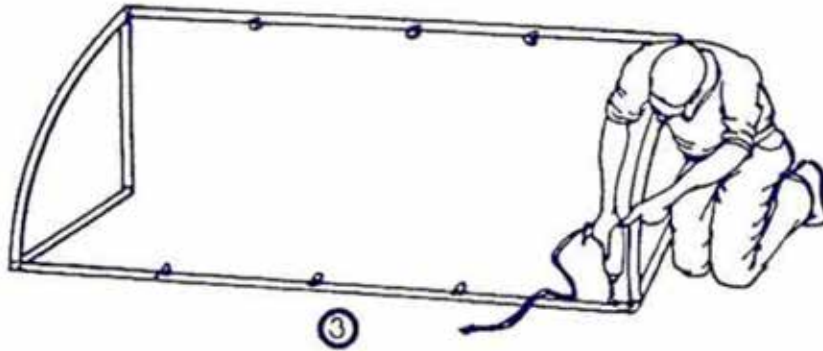
2 **Step Two:** Insert left end of top bar 2 through left end of awning 5.



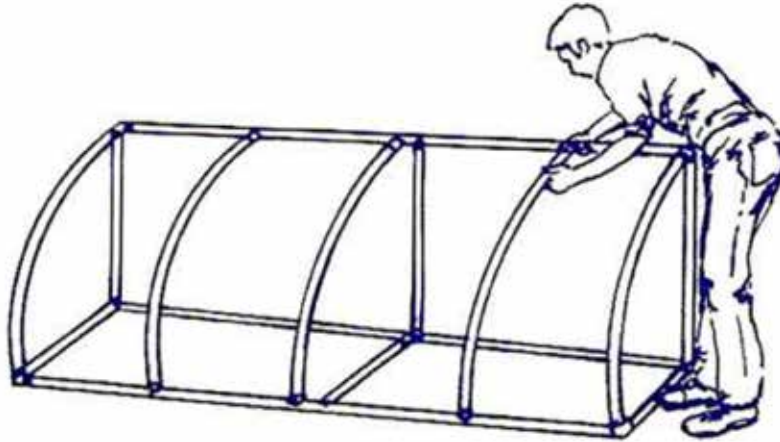
3 **Step Three:** Secure at pre-drilled holes with set screw.



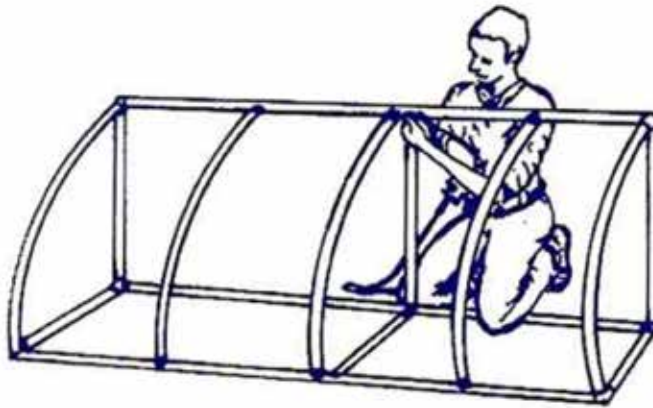
4 **Step Four:** Repeat Step One and Step Two on right side.



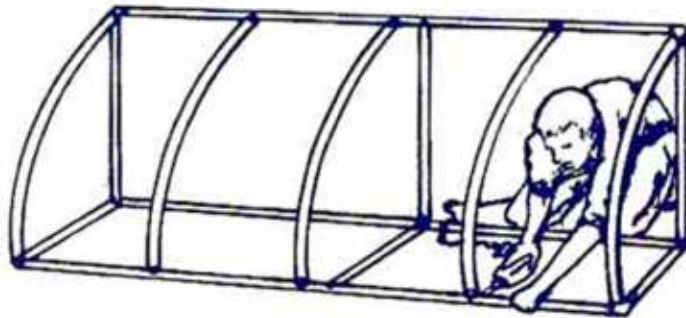
5 **Step Five:** Insert front bar **3** through respective fitting and secure with set screw.



6 **Step Six:** Insert bottom back bar, height bars, projection bars and mid-rafters through respective fittings.



7 **Step Seven:** Secure back bar, height bars and projection bars with set screw at pre-drilled hole.



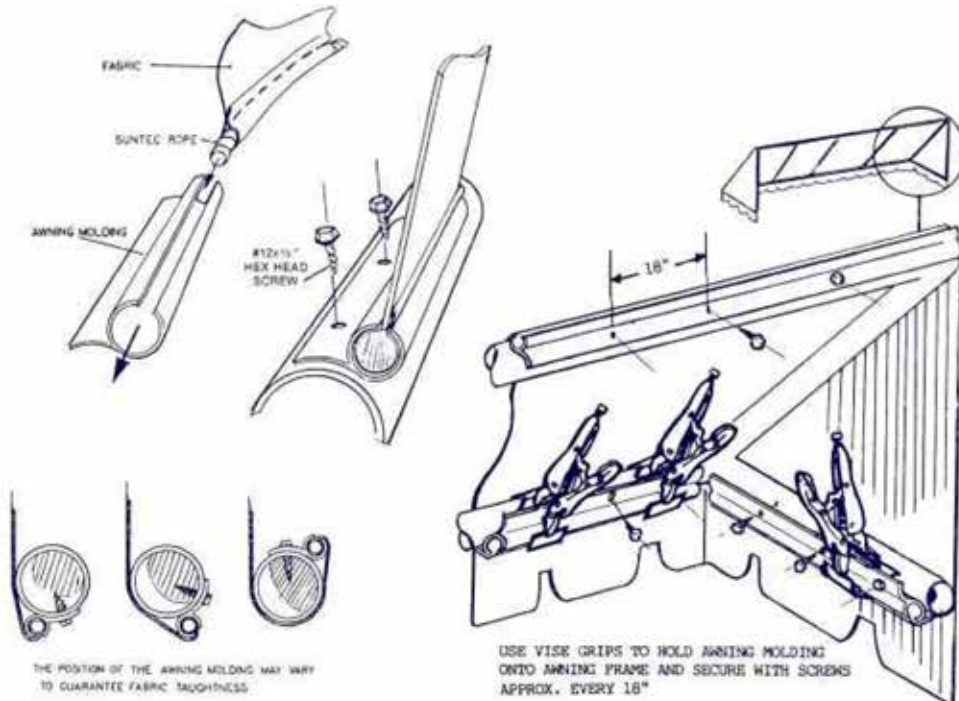
8 **Step Eight:** Secure rafters with set screw at pre-drilled hole.

Fabric Attachment

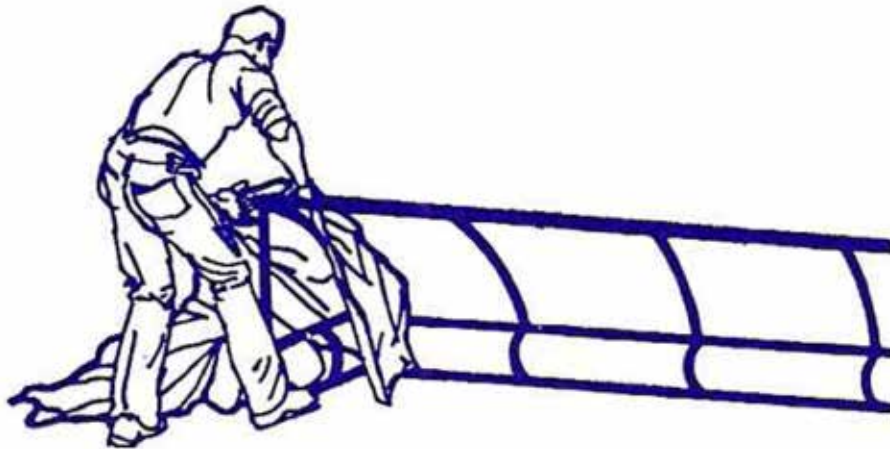
Tools Required for Fabric Attachment

Electric screw gun with 5/16" magnetic chuck hex-driver or 5/16" nut setter. Special fabric vice grips.

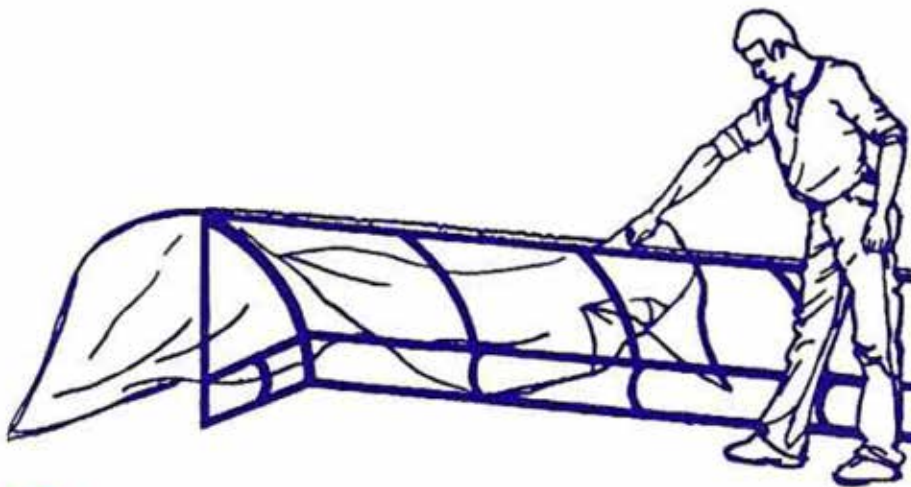
Fabric Attachment Overview



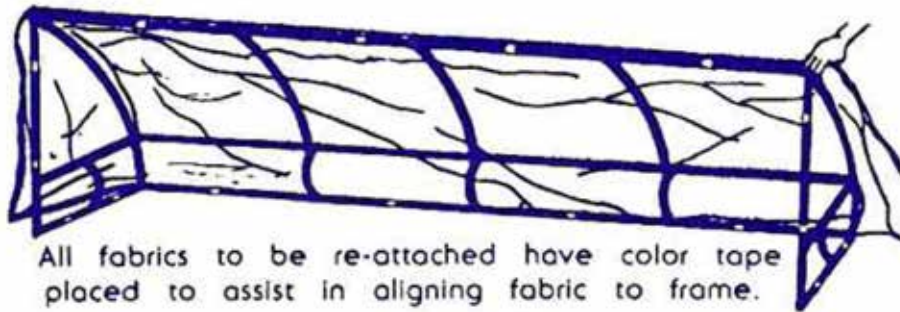
Fabric Attachment Step by Step Instructions



1 **Step One:** Slip fabric into back bar awning molding.



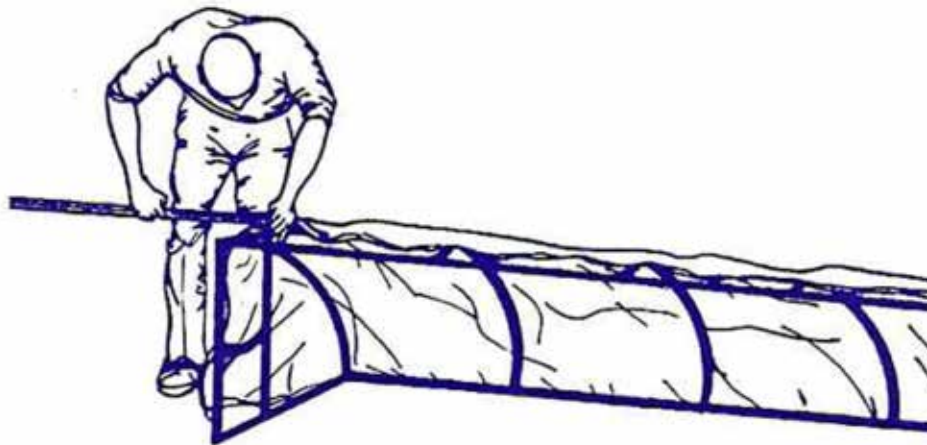
2 **Step Two** Pull fabric through awning molding to other end. Be careful not to tear seams.



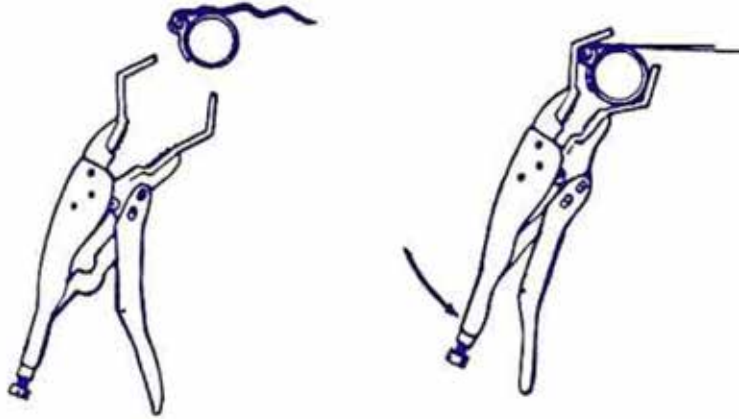
All fabrics to be re-attached have color tape placed to assist in aligning fabric to frame.



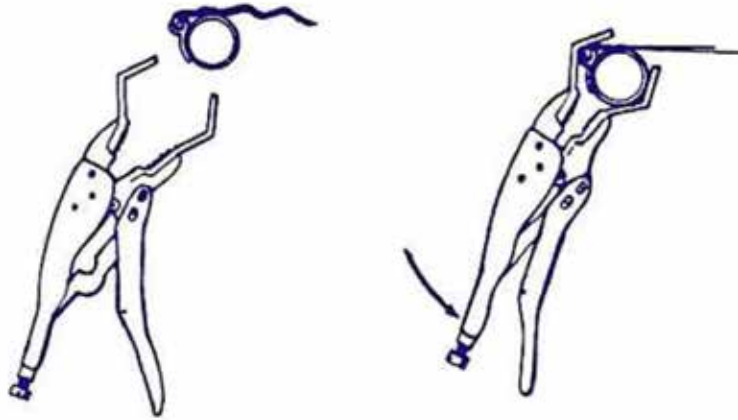
3 Step Three: Position all alignment tape points by adjusting fabric left or right. Fabric must be aligned before securing.



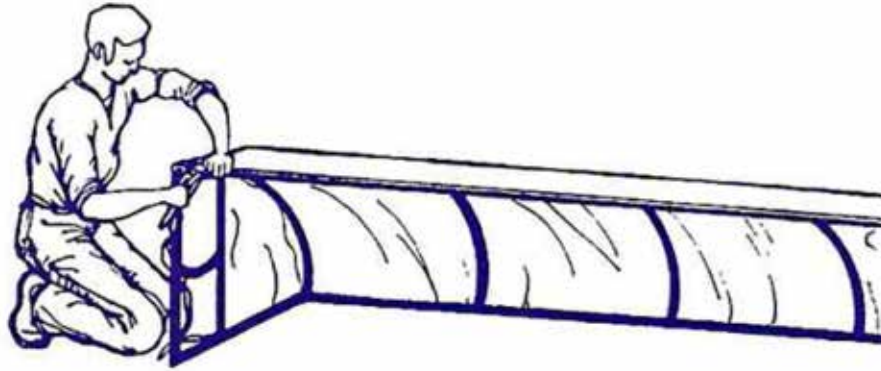
4 Step Four: Turn awning over and slide front bar awning molding in on front bar.



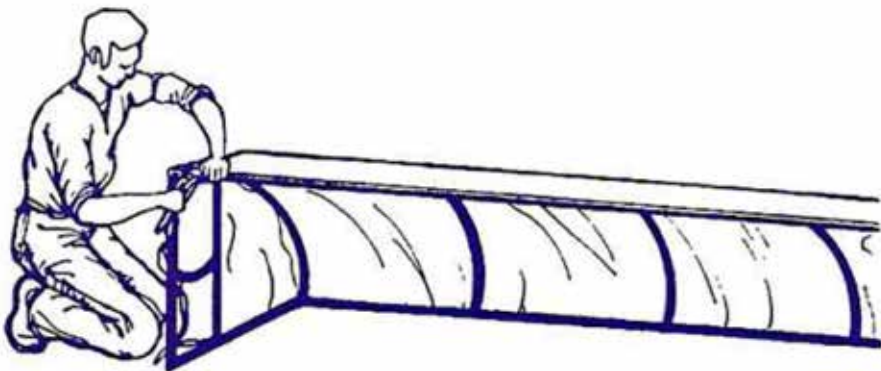
5 **Step Five:** Align corners and clamp to frame. Attach sides first at back height bar and bottom projection bar.



6 **Step Six:** Apply tension as shown. Make sure clamp holds molding to frame tightly.



7 **Step Seven:** Secure awning molding to frame with set screws provided.



8 **Step Eight:** To attach front, clamp awning molding to frame using attaching clamps. See example: match & align pre-drilled holes.